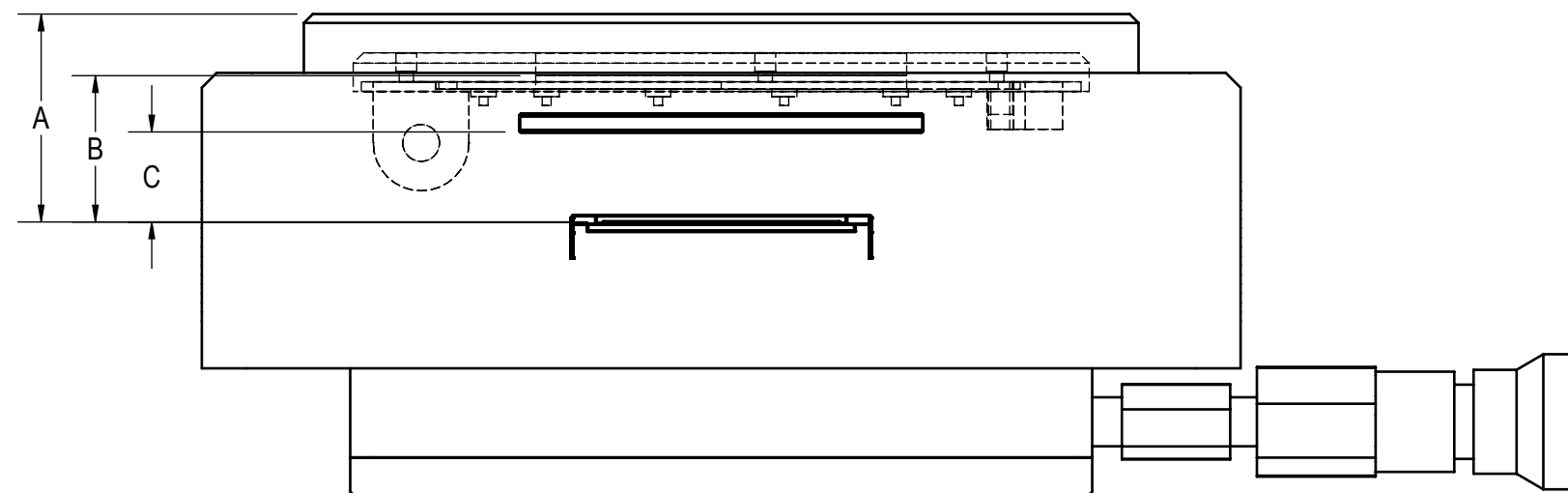
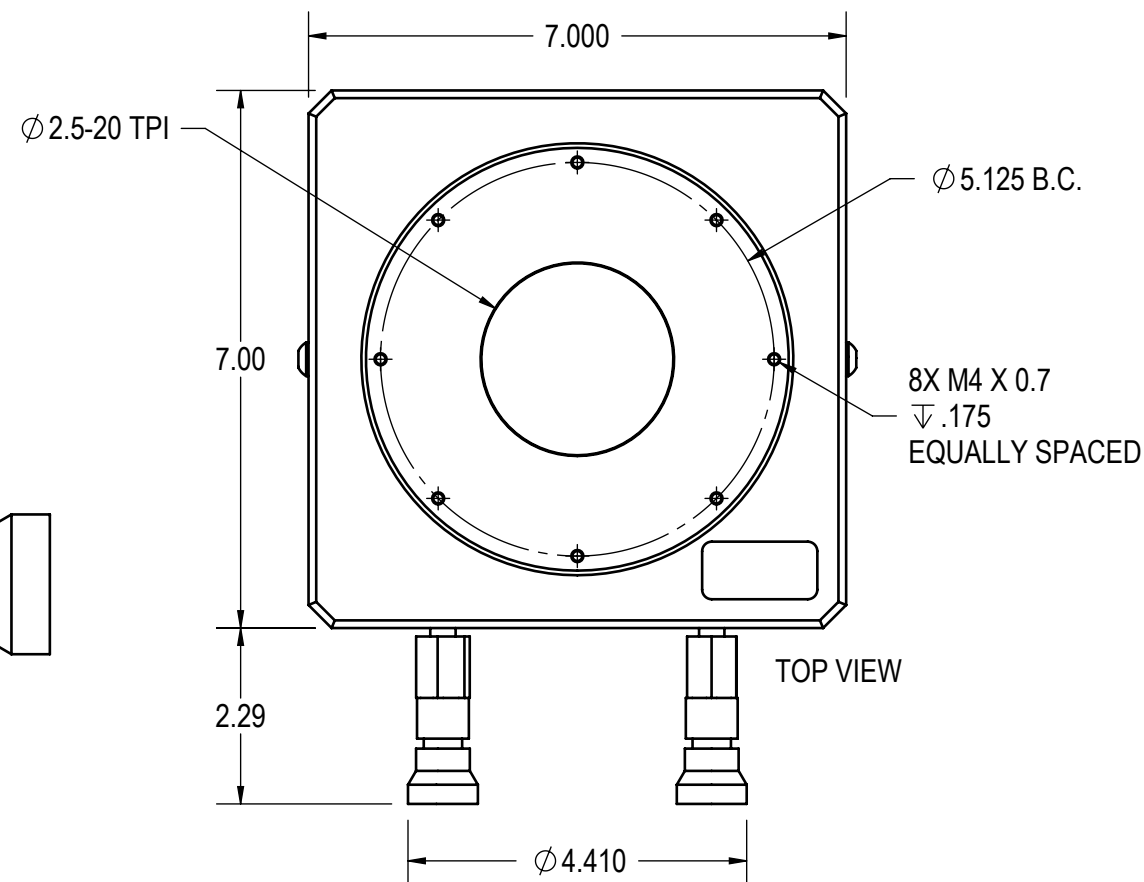


THE INFORMATION CONTAINED IN THIS DRAWING IS THE SOLE PROPERTY OF APOGEE INSTRUMENTS INC. ANY REPRODUCTION IN PART OR AS A WHOLE, WITHOUT THE WRITTEN PERMISSION OF APOGEE INSTRUMENTS IS PROHIBITED.

REVISIONS			
REV.	DESCRIPTION	DATE	APPROVED
A	INITIAL PRODUCTION RELEASE	041607	GR

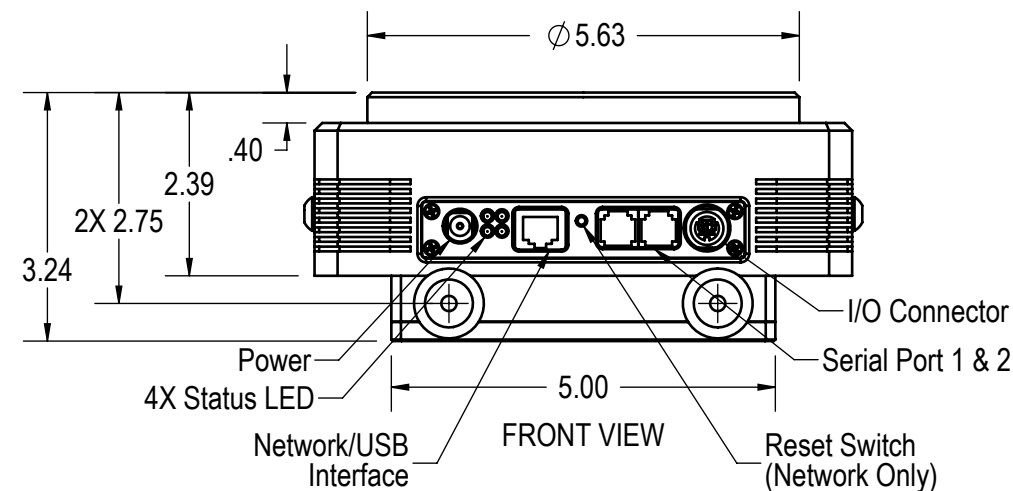


WHERE:
 A = IMAGE PLANE TO MOUNTING PLANE
 B = IMAGE PLANE TO SHUTTER
 C = IMAGE PLANE TO INNER WINDOW SURFACE



ENGLISH (IN)	CAMERA MODEL	CCD	MECHANICAL DIMENSION			OPTICALLY CORRECTED		
			A	B	C	A	B	C
OPTIONAL	U16	KAF-16801E	1.400	0.985	0.606	1.363	0.948	0.606
OPTIONAL	U9000	KAF-09000	1.400	0.985	0.606	1.363	0.948	0.606
WORST CASE TOLERANCE STACK-UP (+/-)			0.007	0.015	0.012	0.007	0.015	0.012

METRIC (MM)	CAMERA MODEL	CCD	MECHANICAL DIMENSION			OPTICALLY CORRECTED		
			A	B	C	A	B	C
OPTIONAL	U16	KAF-16801E	35.56	25.02	15.39	34.62	24.08	15.39
OPTIONAL	U9000	KAF-09000	35.56	25.02	15.39	34.62	24.08	15.39
WORST CASE TOLERANCE STACK-UP (+/-)			0.18	0.38	0.30	0.18	0.38	0.30



UNLESS OTHERWISE SPECIFIED DIMENSIONS ARE IN INCHES TOLERANCES ARE: FRACTIONS DECIMALS ANGLES ± .XX ± .01 ± 1° ± .XXX ± .005	CAD GENERATED DRAWING. DO NOT MANUALLY UPDATE		
	THIRD ANGLE PROJECTION		
MATERIAL	NAME	DATE	SPECIFICATION, MECHANICAL, ALTA
FINISH	DRAWN	GR 041607	
DO NOT SCALE DRAWING	CHECKED	WB 041607	
	ENG		
	MFG		
	QA		SIZE B DWG. NO. D9LCMG63D-XX REV. A SCALE 1:2.5 RELEASE DATE SHEET 1 OF 1

