

High Performance Cooled CCD Camera System

AFW-50 FILTER WHEELS

Apogee's large format filter wheel supports wheels for seven square 50mm filters or nine round 50mm filters. The filter wheel is controlled via USB 2.0. The filter wheel easily adapts to the Alta D2, D7, and D9 bodies, as well as to Ascent and AP systems (adapter plate included).

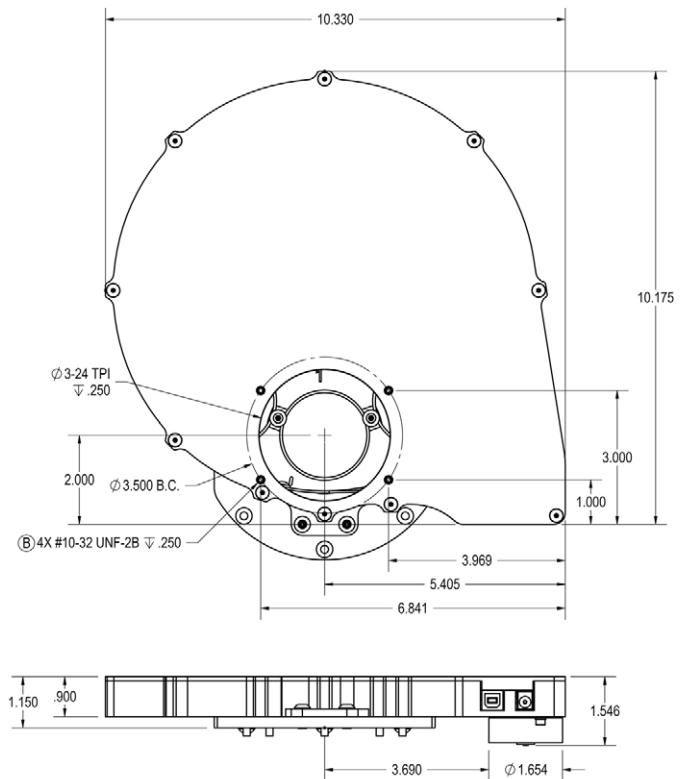
Model AFW-50-9R
9 positions for 50mm round filters

Model AFW-50-7S
7 positions for 50mm square filters



Filter wheel mounted on Alta D9 camera body

Max. filter thickness	7 mm
Weight	3.5 lbs. (1.6 kg) with filters
Thickness	1.15" (2.92 cm) with mounting plate
Camera mount method	Adapter plate attached to any Alta or AP camera
Mechanical mount	3" 24 threads/inch
Power input	12V DC (int'l power supply included)
Interface	USB 2.0



(All dimensions in inches)



Filter wheel with adapter plate



151 N. Sunrise Ste 902
Roseville CA 95661 USA
tel 916 218 7450
fax 916 218 7451
www.ccd.com