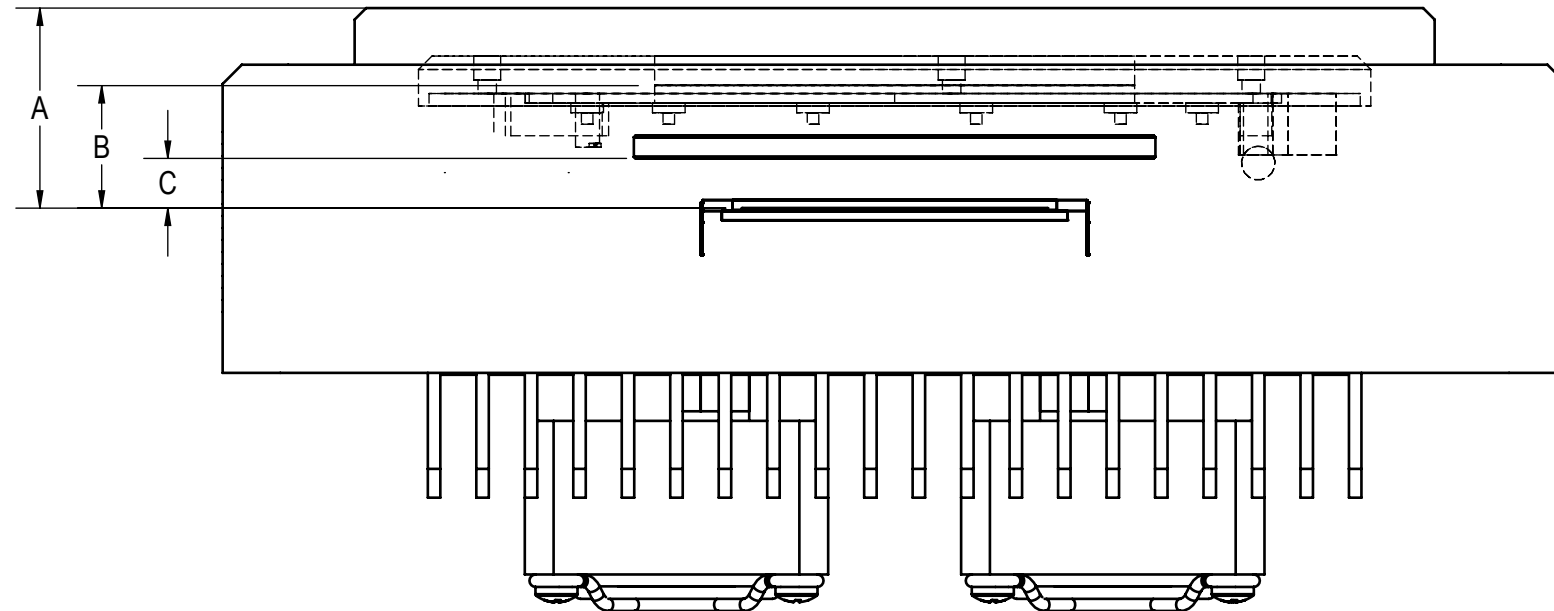


THE INFORMATION CONTAINED IN THIS DRAWING IS THE SOLE PROPERTY OF APOGEE INSTRUMENTS INC. ANY REPRODUCTION IN PART OR AS A WHOLE, WITHOUT THE WRITTEN PERMISSION OF APOGEE INSTRUMENTS IS PROHIBITED.

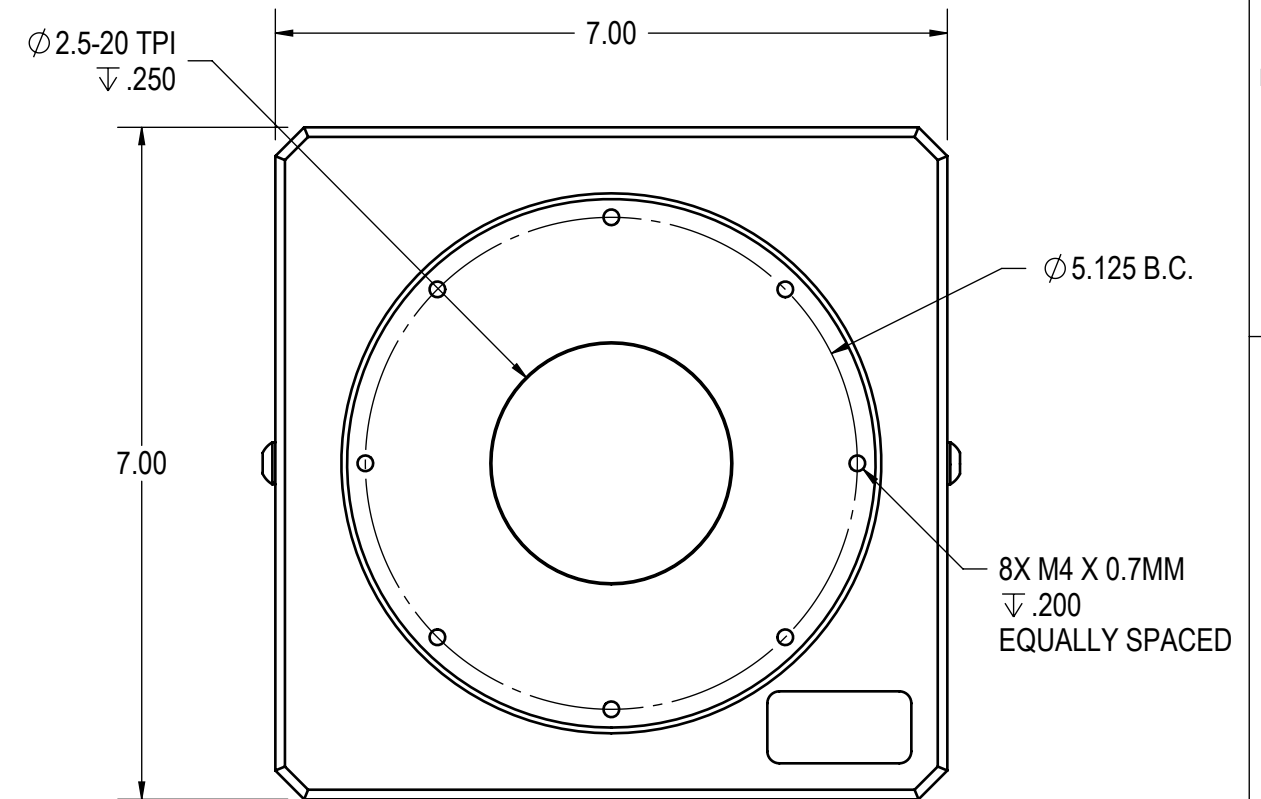
REVISIONS			
REV.	DESCRIPTION	DATE	APPROVED
C	TABLE UPDATED AND ADDED MOUNTING THREAD	011007	GR
D	UPDATED MOUNTING THREAD CALLOUT	030507	GR
E	ADDED U16M AND U9000 CONFIGURATIONS	043007	GR



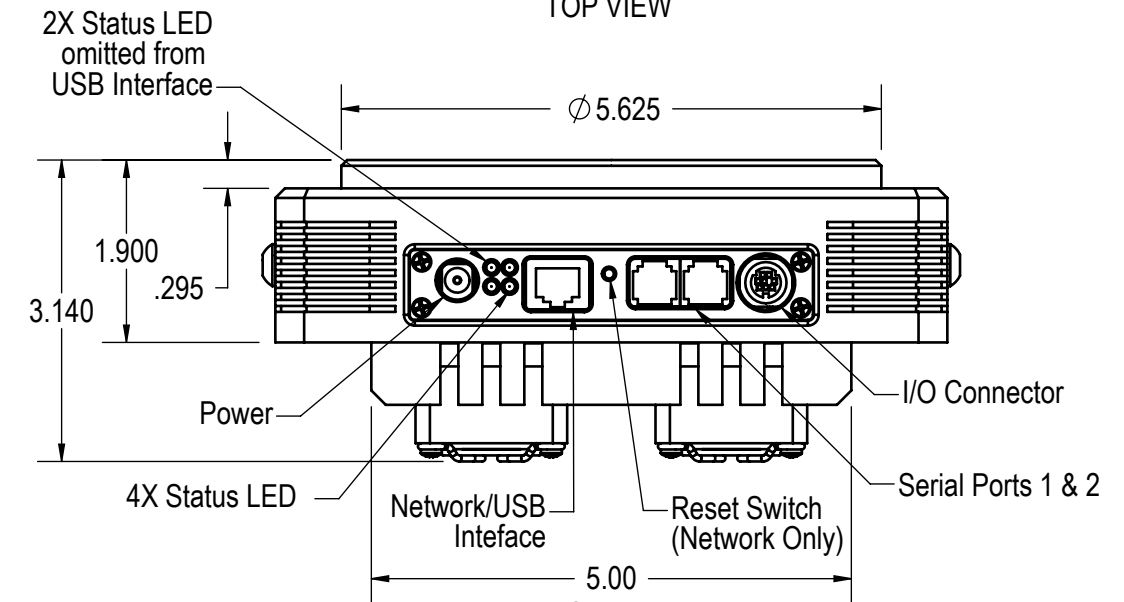
WHERE:
 A = IMAGE PLANE TO MOUNTING PLANE
 B = IMAGE PLANE TO SHUTTER
 C = IMAGE PLANE TO INNER WINDOW SURFACE

ENGLISH (IN)	CAMERA MODEL	CCD	MECHANICAL DIMENSION			OPTICALLY CORRECTED		
			A	B	C	A	B	C
STANDARD	U16	KAF-16801	1.045	0.633	0.220	1.008	0.596	0.220
STANDARD	U16M	KAF-16803	1.045	0.633	0.220	1.008	0.596	0.220
STANDARD	U9000	KAF-09000	1.045	0.633	0.220	1.008	0.596	0.220
WORST CASE TOLERANCE STACK-UP (+/-)			0.007	0.015	0.012	0.007	0.015	0.012

METRIC (MM)	CAMERA MODEL	CCD	MECHANICAL DIMENSION			OPTICALLY CORRECTED		
			A	B	C	A	B	C
STANDARD	U16	KAF-16801	26.54	16.08	5.59	25.60	15.14	5.59
STANDARD	U16M	KAF-16803	26.54	16.08	5.59	25.60	15.14	5.59
STANDARD	U9000	KAF-09000	26.54	16.08	5.59	25.60	15.14	5.59
WORST CASE TOLERANCE STACK-UP (+/-)			0.18	0.38	0.30	0.18	0.38	0.30



TOP VIEW



FRONT VIEW

CAD GENERATED DRAWING. DO NOT MANUALLY UPDATE				
THIRD ANGLE PROJECTION				
DRAWN	GR	101405	SPECIFICATION, MECHANICAL, ALTA	
CHECKED	RM	101705		
ENG	RM	101705		
MFG				
QA				
SCALE 1:2			SIZE B	DWG. NO. D7MG63S
RELEASE DATE				REV. E
SHEET 1 OF 1				

